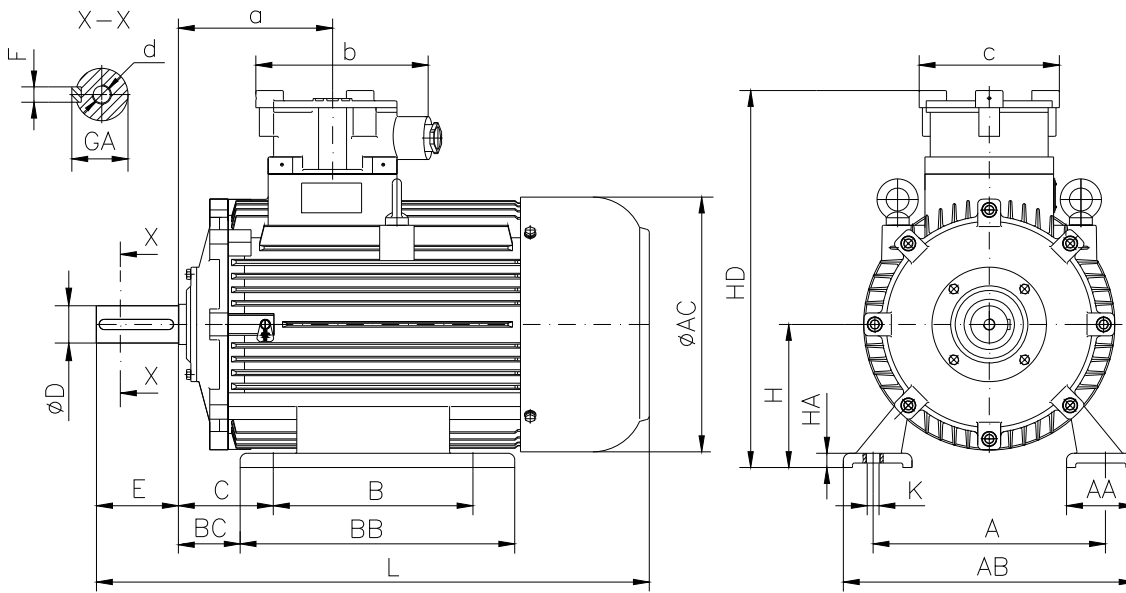


**DATA SHEET**

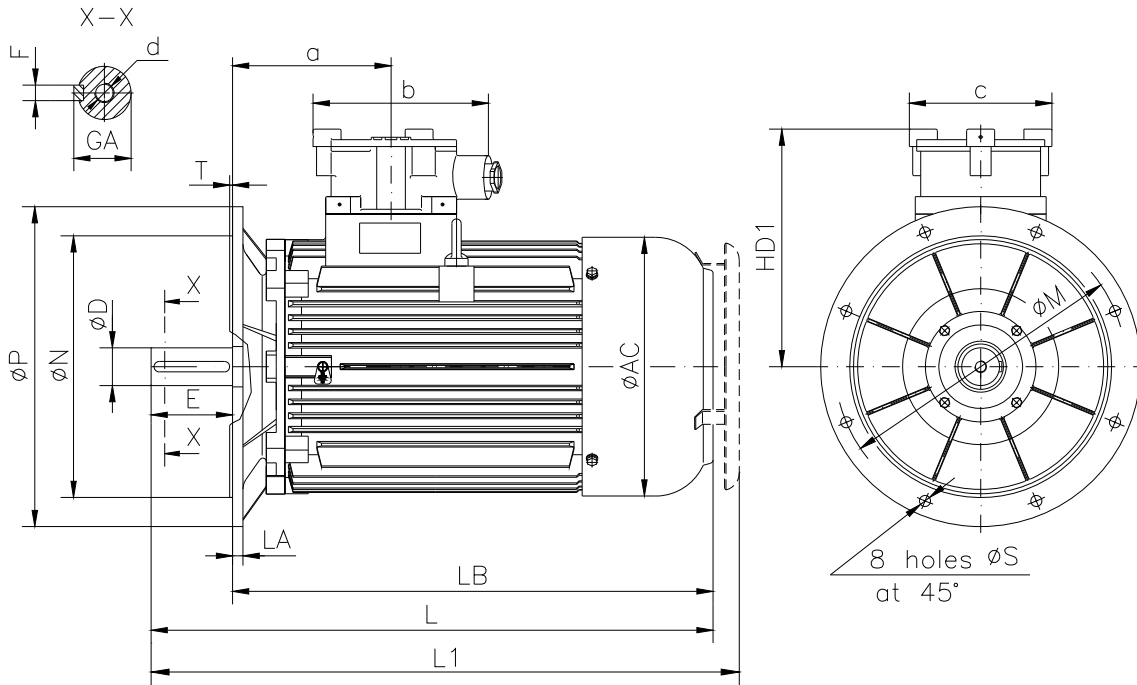
- Type.....ASA 355L-8
- Reference standard..... IEC 60034-1  
EN 60079-0  
EN 60079-1  
EN 60079-7
- Rated output..... 200 kW
- Rated stator voltage.....400V
- Stator connection..... Δ
- Stator current at 100% load .....366 [A]
- Number of poles.....8
- Rated speed/Rated frequency.....745 rev/min/50Hz
- Efficiency at 100% load.....95.1%
- Power factor at 100% load.....0.83
- Break-down torque.....2.0 x Mn
- Locked rotor torque.....2.0x Mn
- Locked rotor current.....5.5 x In
- J motor .....9.79879 kgm<sup>2</sup>
- Insulation class.....F
- Direction of rotation.....REVERSIBLE
- Protection degree.....≥IP55
- Mounting.....IM
- Cooling method.....IC 411
- Max. ambient temperature.....40°C
- Altitude.....1000m
- Bearing type.....6322 drive end  
6322 non drive end
- Lubrication..... regreasable bearings with UM 185 Li 3,  
Shell Alvania R3, SKF LGTH3 or similar
- Relubricated interval .....7500[hrs] DE and NDE
- Corrected interval..... 2500 [hrs] DE and NDE
- Grease quantity .....75g/bearing DE and NDE
- Weight.....1875 Kg
- Outline drawing.....Page 2
- Vibration level :.....A (acc.IEC 60034-14 )
- Noise level .....acc.IEC 60034-9
- Cable entries.....2 xM63x1.5
- Minimum and maximum admissible supply cable diameter..... 29-44mm
- Climate execution .....N

**The overall and mounting dimensions  
IM 1001**



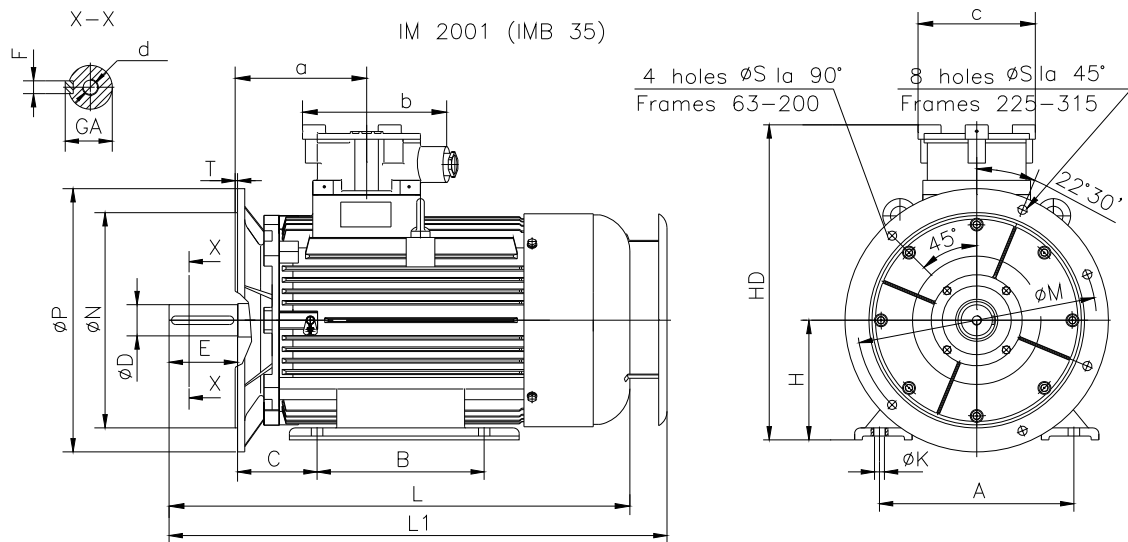
Frame size	Dimensions (mm)																				
	Foot mounting										Shaft extension					HD	AC	L	a	b	c
A	B	C	H <sub>0.5</sub>	K	AA	AB	BB	BC	HA	D	E	F	GA	d							
355 L-8	610	630	254	355	28	110	714	695	177	32	100m6	210	28	106	M24	960	705	1570	320	460	355

**The overall and mounting dimensions  
IM 3001; IM 3011**



Frame size	Dimensions (mm)																		
	Flange mounting (B5)					Shaft extension					HD1	AC	LA	LB	L	L1	a	b	c
	N	M	P	S	T	D	E	F	GA	d									
355 L-8	680j6	740	800	24	6	100m6	210	28h9	106	M24	605	705	35	1350	1570	1670	320	460	355

**The overall and mounting dimensions  
IM 2001**



Frame size	Dimensions (mm)																				
	Foot mounting					Flange mounting					Shaft extension					HD	L	L1	a	b	c
355 L-8	A	B	C	H <sub>0.5</sub>	K	N	M	P	S	T	D	E	F	GA	d						
	610	630	254	355	28	680j6	740	800	24	6	$100m_6$	210	28h9	106	M24	960	1570	1670	320	460	355