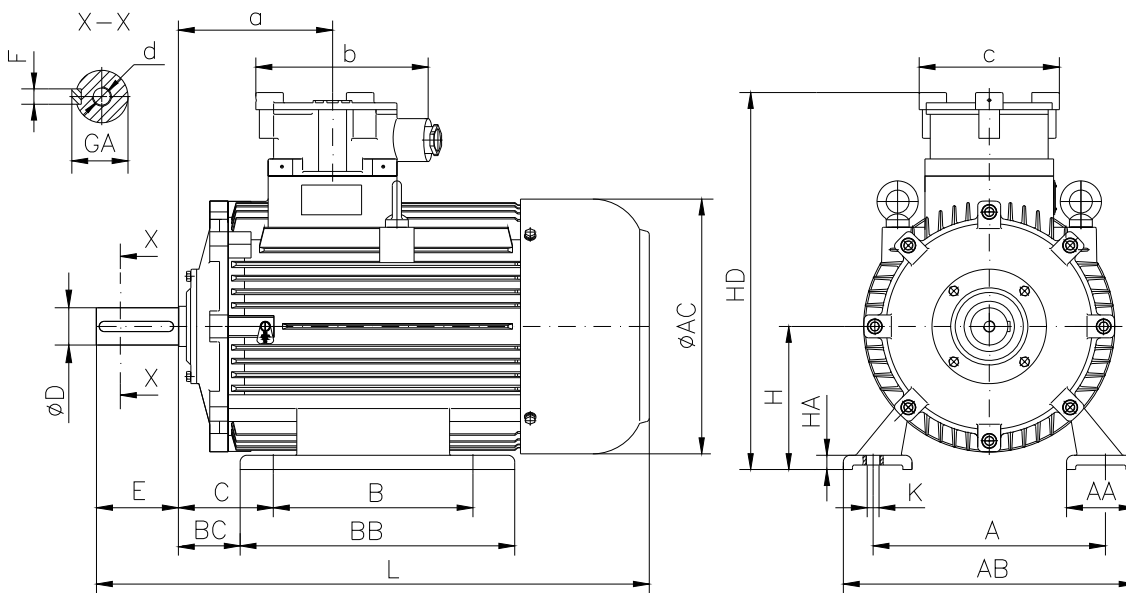


**DATA SHEET**

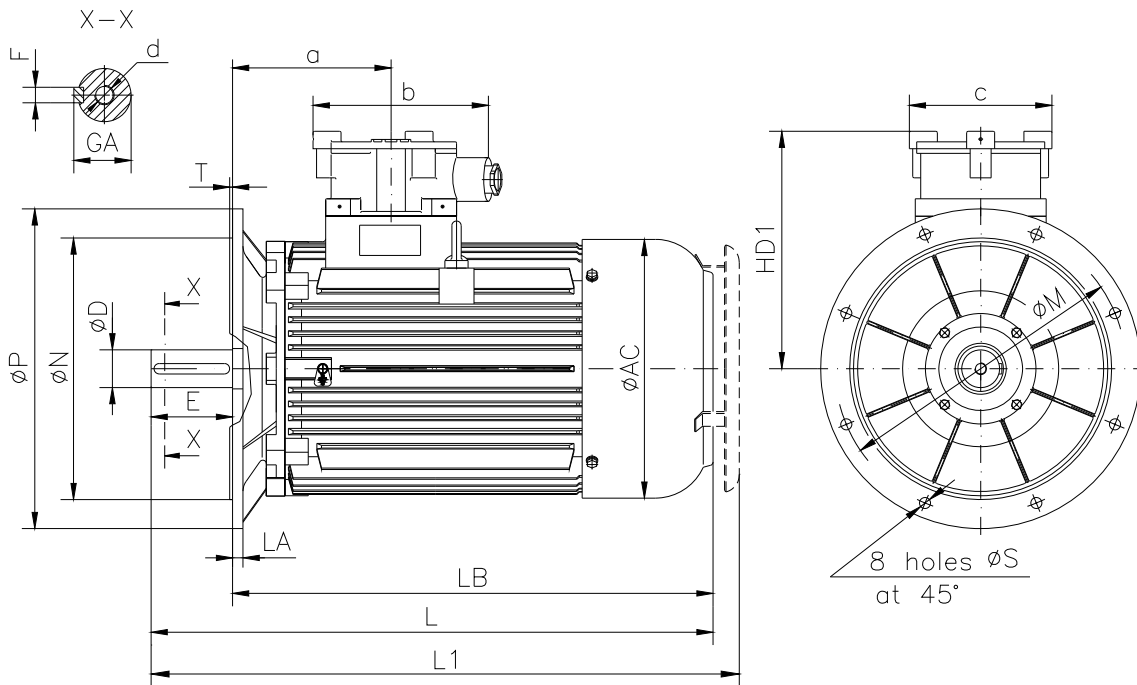
○ Type.....	ASA 355L-6
○ Reference standard.....	IEC 60034-1 EN 60079-0 EN 60079-1 EN 60079-7
○ Rated output.....	250 kW
○ Rated stator voltage.....	400V
○ Stator connection.....	Δ
○ Stator current at 100% load .....	430 [A]
○ Number of poles.....	6
○ Rated speed/Rated frequency.....	989 rev/min/50Hz
○ Efficiency at 100% load.....	95.3%
○ Power factor at 100% load.....	0.88
○ Break-down torque.....	2.5 x Mn
○ Locked rotor torque.....	2.5x Mn
○ Locked rotor current.....	7.0 x In
○ J motor .....	9.79879 kgm <sup>2</sup>
○ Insulation class.....	F
○ Direction of rotation.....	REVERSIBLE
○ Protection degree.....	≥IP55
○ Mounting.....	IM
○ Cooling method.....	IC 411
○ Max. ambient temperature.....	40°C
○ Altitude.....	1000m
○ Bearing type.....	6322 drive end 6322 non drive end
○ Lubrication.....	regreasable bearings with UM 185 Li 3, Shell Alvania R3, SKF LGTH3 or similar
○ Relubricated interval .....	7500[hrs] DE and NDE
○ Corrected interval.....	2500 [hrs] DE and NDE
○ Grease quantity .....	75g/bearing DE and NDE
○ Weight.....	1850 Kg
○ Outline drawing.....	Page 2
○ Vibration level : .....	A (acc.IEC 60034-14 )
○ Noise level .....	acc.IEC 60034-9
○ Cable entries.....	2 xM63x1.5
○ Minimum and maximum admissible supply cable diameter.....	29-44mm
○ Climate execution .....	N

**The overall and mounting dimensions  
IM 1001**



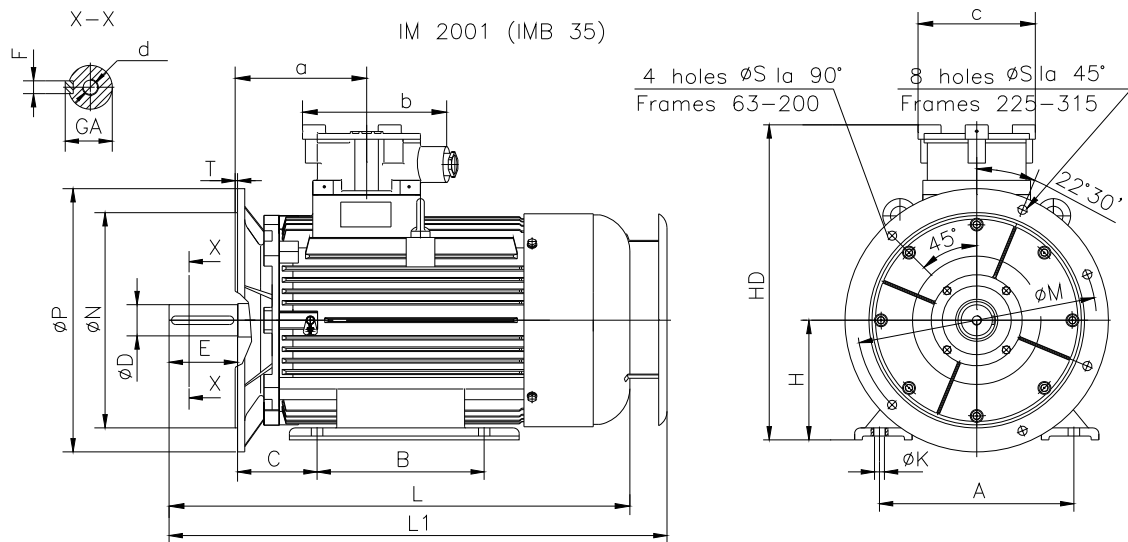
Frame size	Dimensions (mm)																				
	Foot mounting										Shaft extension					HD	AC	L	a	b	c
A	B	C	H <sub>0.5</sub>	K	AA	AB	BB	BC	HA	D	E	F	GA	d							
355 L-6	610	630	254	355	28	110	714	695	177	32	100m6	210	28	106	M24	960	705	1570	320	460	355

**The overall and mounting dimensions  
IM 3001; IM 3011**



Frame size	Dimensions (mm)																		
	Flange mounting (B5)					Shaft extension					HD1	AC	LA	LB	L	L1	a	b	c
N	M	P	S	T	D	E	F	GA	d										
355 L-6	680j6	740	800	24	6	100m 6	210	28h9	106	M24	605	705	35	1350	1570	1670	320	460	355

**The overall and mounting dimensions  
IM 2001**



Frame size	Dimensions (mm)																				
	Foot mounting					Flange mounting					Shaft extension					HD	L	L1	a	b	c
355 L-6	A	B	C	H <sub>0.5</sub>	K	N	M	P	S	T	D	E	F	GA	d						
	610	630	254	355	28	680j6	740	800	24	6	100m/6	210	28h9	106	M24	960	1570	1670	320	460	355