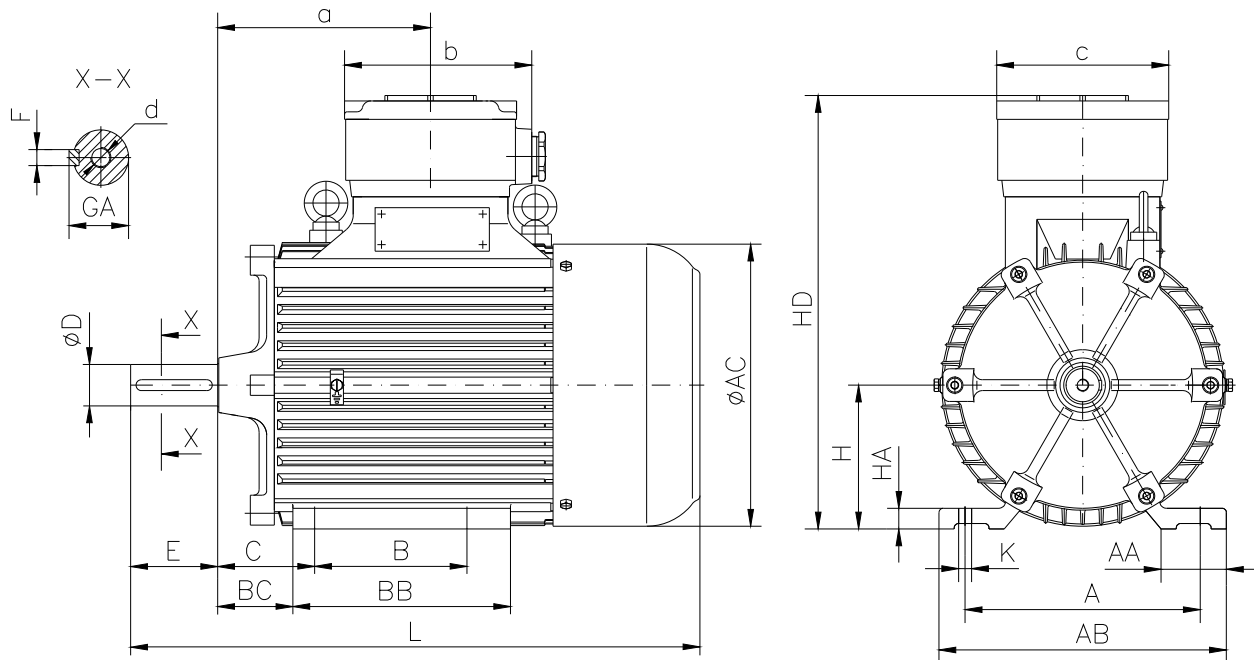


DATA SHEET

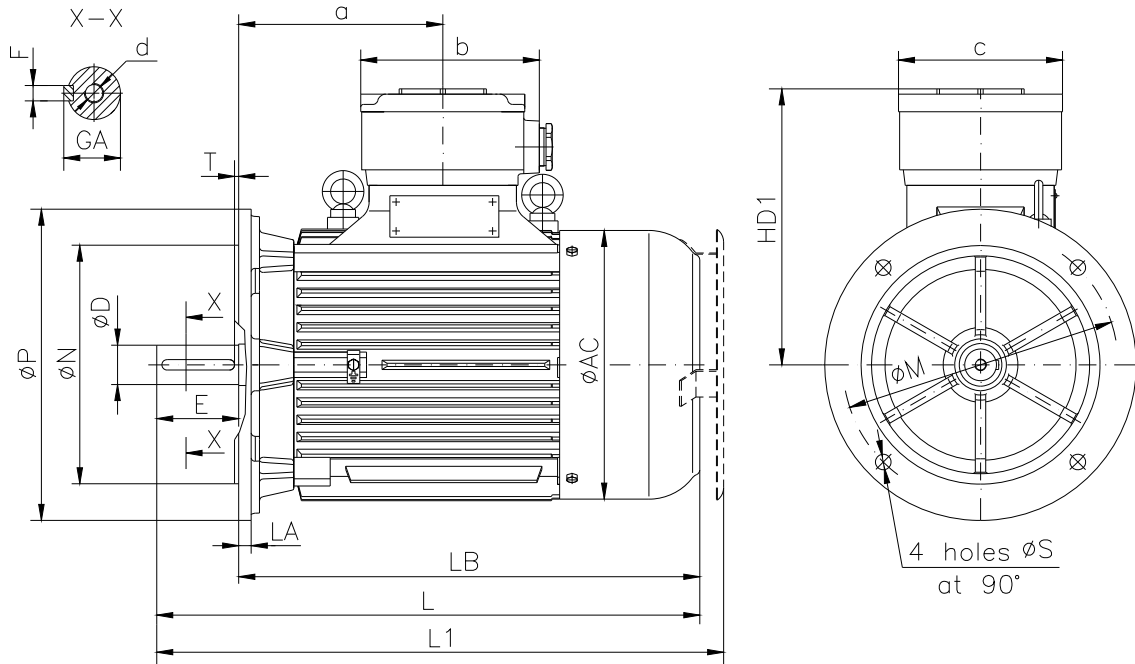
○ Type.....	ASA 160Ma-8
○ Reference standard.....	IEC 60034-1
	EN 60079-0
	EN 60079-1
	EN 60079-7
○ Rated output.....	4 kW
○ Rated stator voltage.....	400 V
○ Stator current at 100% load.....	10.2 [A]
○ Number of poles.....	8
○ Rated speed.....	730 rev/min
○ Rated frequency.....	50 Hz
○ Efficiency at 100% load.....	82%
○ Power factor at 100% load.....	0.69
○ Break-down torque.....	2 x Mn
○ Locked rotor torque.....	1.95 x Mn
○ Locked rotor current.....	4.5 x In
○ Rotor inertia.....	0.093645 kgm ²
○ Insulation class.....	F
○ Direction of rotation.....	Both(CW&CCW)
○ Protection degree.....	≥IP55
○ Mounting.....	IM
○ Cooling method.....	IC 411
○ Max. ambient temperature	+ 40°C
○ Altitude.....	1000m
○ Bearing type.....	6310 2Z drive end 6310 2Z non drive end
○ Weight.....	137 Kg
○ Outline drawing.....	Page 2
○ Vibration level :	A (acc.IEC 60034-14)
○ Noise level	acc.IEC 60034-9
○ Cable entries.....	2xM40x1.5
○ Climate execution	N

**The overall and mounting dimensions
IM 1001**



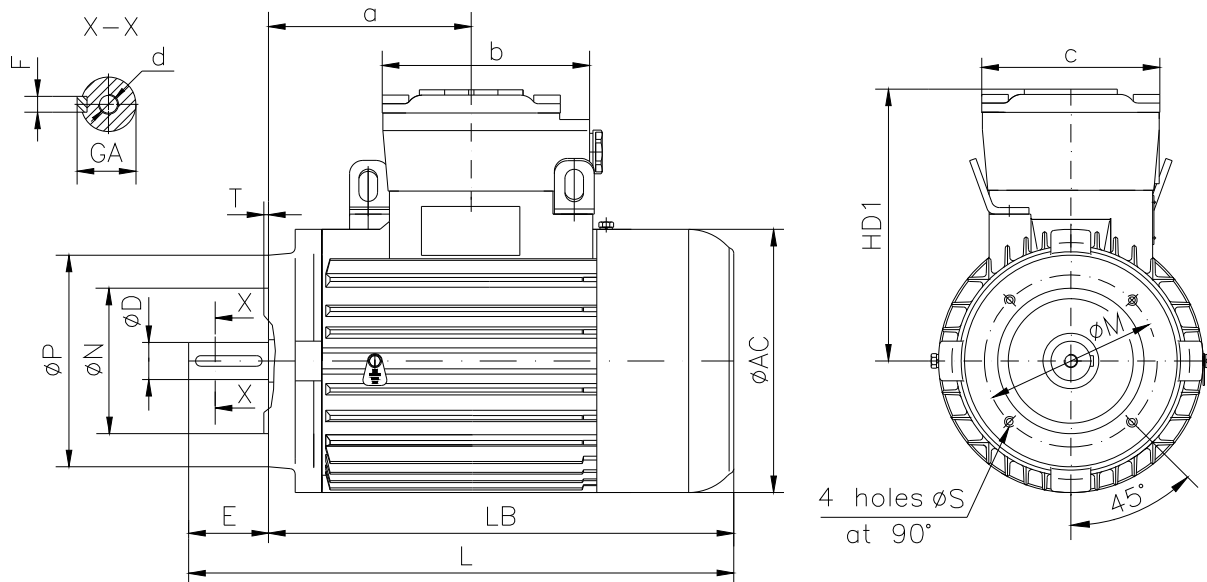
Frame size	Dimensions (mm)																				
	Foot mounting										Shaft extension						HD	AC	L	a	b
160 Ma-8	A	B	C	H _{0.5}	K	AA	AB	BB	BC	HA	D	E	F	GA	d						
	254	210	108	160	14.5	80	320	300	80	20	42k6	110	12h9	45	M16	471	317	660	245	210	195

**The overall and mounting dimensions
IM 3001; IM 3011**



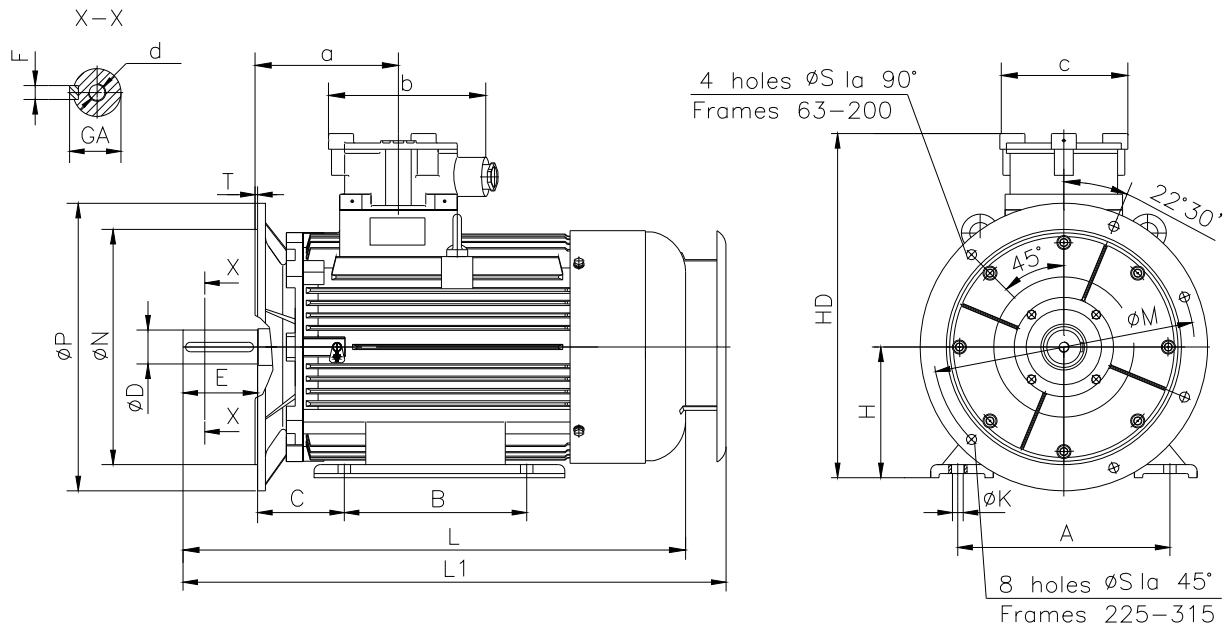
Frame size	Dimensions (mm)																		
	Flange mounting (B5)					Shaft extension					HD1	AC	LA	LB	L	L1	a	b	c
160 Ma-8	N	M	P	S	T	D	E	F	GA	d									
	250j6	300	350	18.5	5	42k6	110	12h9	45	M16	311	317	14	550	660	715	245	210	195

**The overall and mounting dimensions
IM 3601**



Frame size	Flange	Dimensions (mm)													
		Flange mounting (B14)					Shaft extension		HD1	AC	LB	L	a	b	c
		N	M	P	S	T	D	E							
160 Ma-8	F215	180j6	215	250	M12	4	42k6	110	311	317	550	660	245	210	195
	F265	230j6	265	300											

**The overall and mounting dimensions
IM 2001**



Frame size	Dimensions (mm)																				
	Foot mounting					Flange mounting					Shaft extension					HD	L	L1	a	b	c
A	B	C	H _{0,5}	K	N	M	P	S	T	D	E	F	GA	d							
160 Ma-8	254	210	108	160	14.5	250j6	300	350	18.5	5	42k6	110	12h9	45	M16	471	660	715	245	210	195