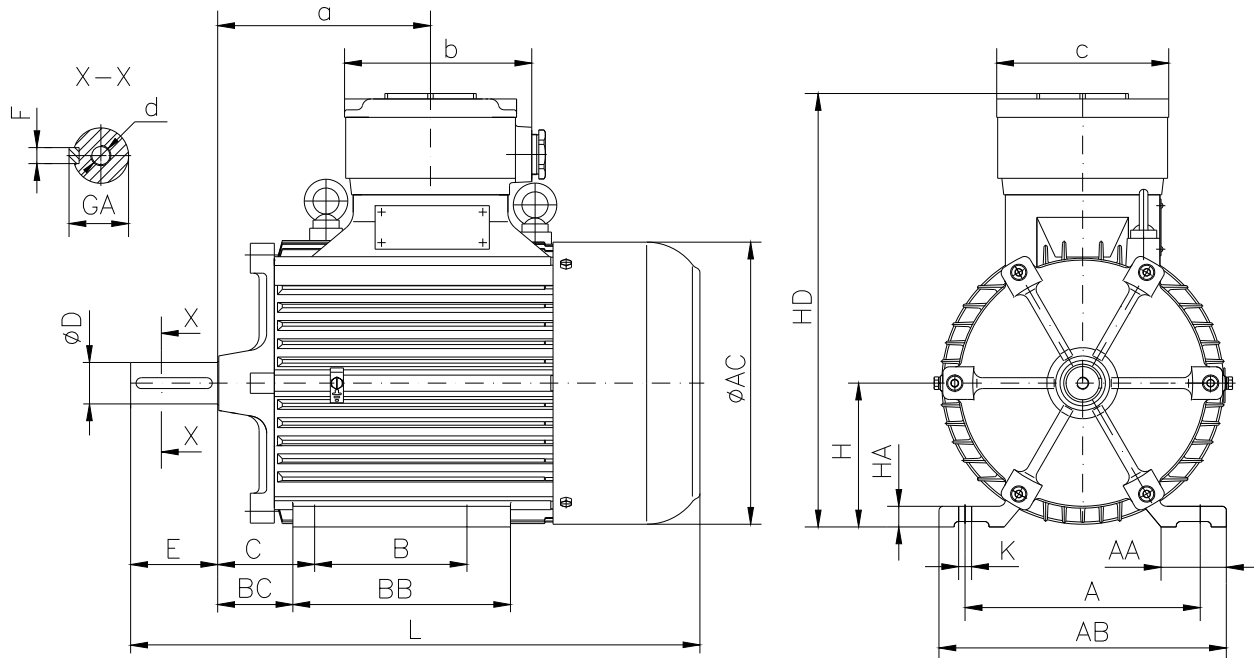


**DATA SHEET**

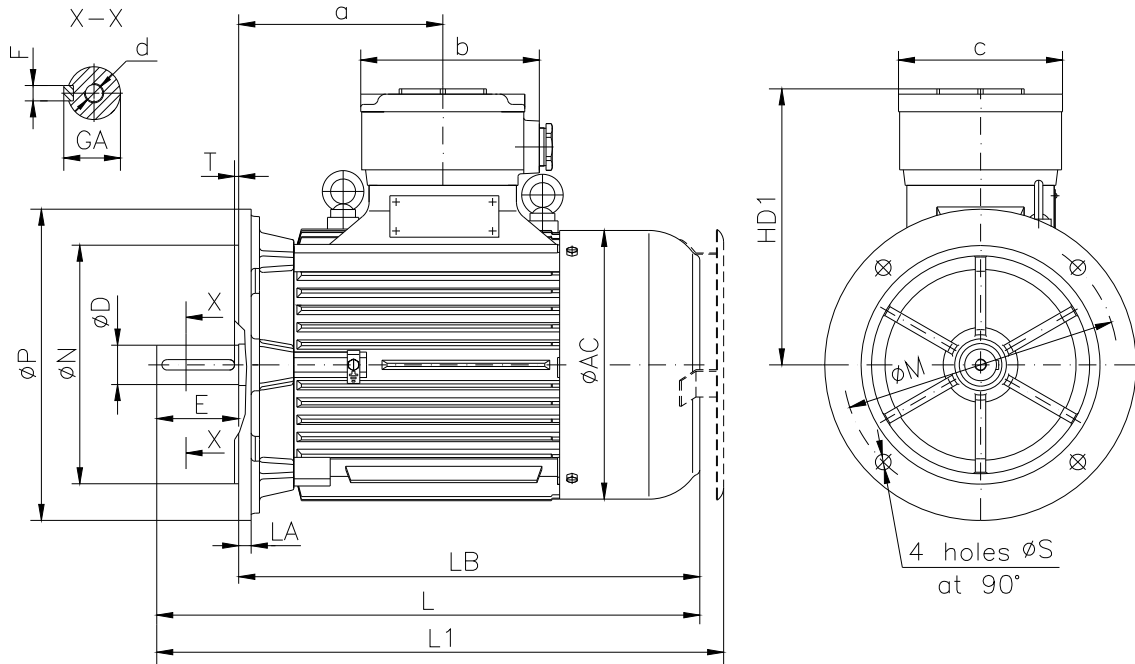
○ Type.....	ASA 132Sa-2
○ Reference standard.....	IEC 60034-1 EN 60079-0 EN 60079-1 EN 60079-7
○ Rated output.....	5.5 kW
○ Rated stator voltage.....	400V
○ Stator current at 100% load.....	10.8 [A]
○ Number of poles.....	2
○ Rated speed.....	2916 rev/min
○ Rated frequency.....	50Hz
○ Efficiency at 100% load.....	86.1%
○ Power factor at 100% load.....	0.85
○ Break-down torque.....	3.2 x Mn
○ Locked rotor torque.....	3.2 x Mn
○ Locked rotor current.....	6.45 x In
○ Rotor inertia.....	0.015375 kgm <sup>2</sup>
○ Insulation class.....	F
○ Direction of rotation.....	Both(CW&CCW)
○ Protection degree.....	≥IP55
○ Mounting.....	IM
○ Cooling method.....	IC 411
○ Max. ambient temperature .....	+ 40°C
○ Altitude.....	1000m
○ Bearing type.....	6308 2Z drive end 6308 2Z non drive end
○ Weight.....	83 Kg
○ Outline drawing.....	Page 2
○ Vibration level : .....	A (acc.IEC 60034-14 )
○ Noise level .....	acc.IEC 60034-9
○ Cable entries.....	2xM32x1.5
○ Climate execution .....	N

**The overall and mounting dimensions  
IM 1001**



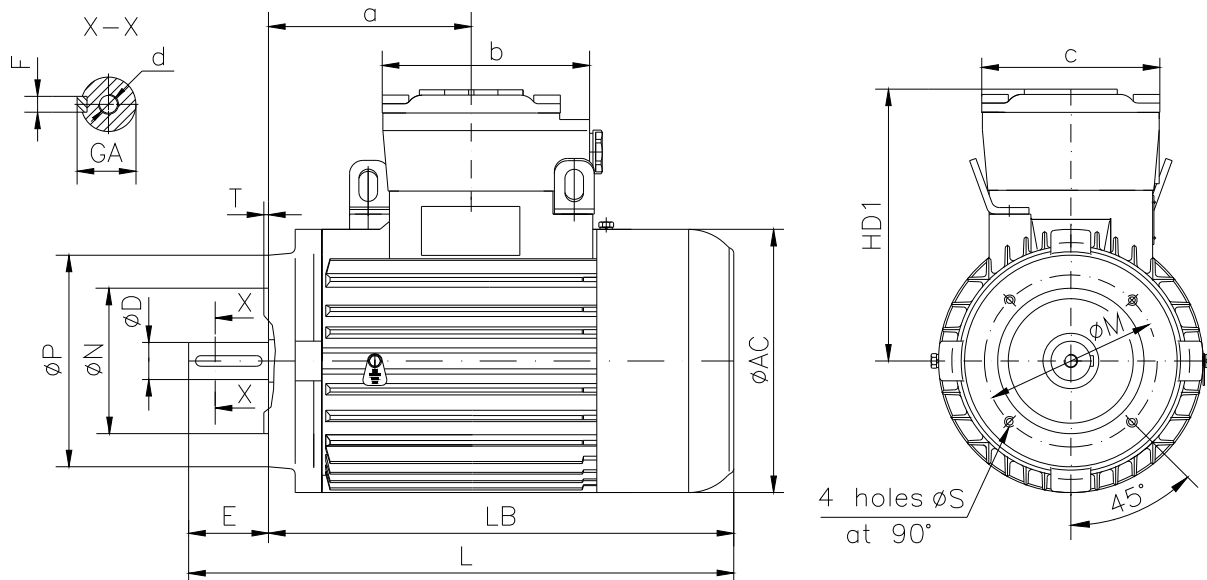
Frame size	Dimensions (mm)																				
	Foot mounting										Shaft extension						HD	AC	L	a	b
A	B	C	H <sub>0.5</sub>	K	AA	AB	BB	BC	HA	D	E	F	GA	d							
132 Sa-2	216	140	89	132	12	60	264	200	69	19	38k6	80	10h9	41	M12	400	263	523	200	175	160

**The overall and mounting dimensions  
IM 3001; IM 3011**



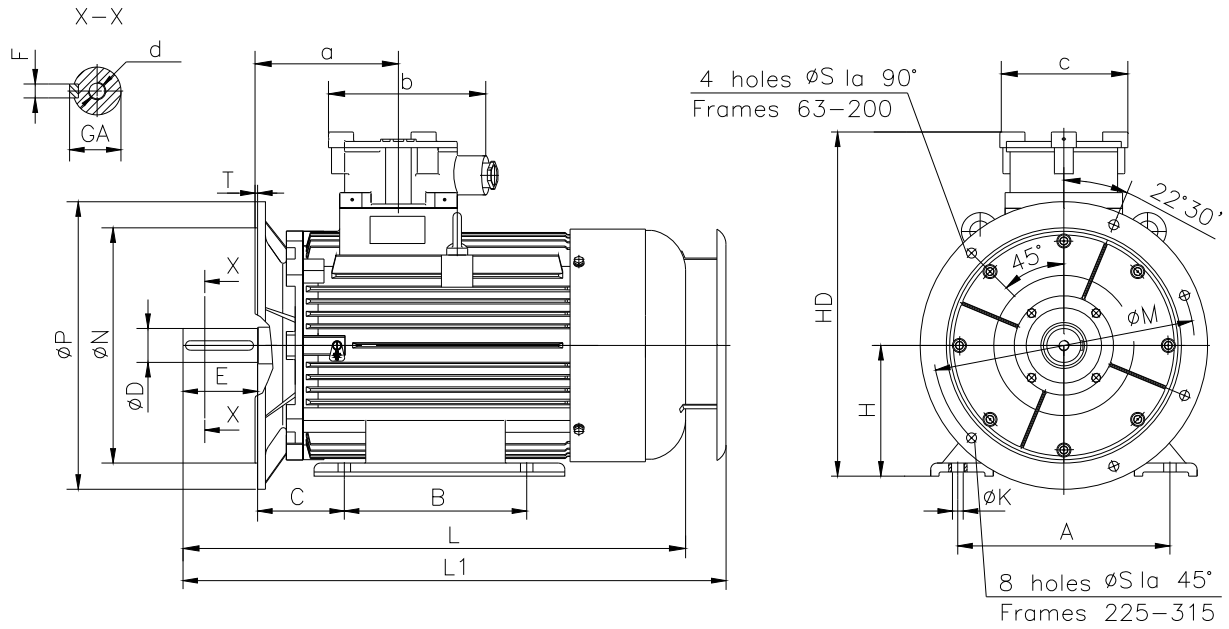
Frame size	Dimensions (mm)																		
	Flange mounting (B5)					Shaft extension					HD1	AC	LA	LB	L	L1	a	b	c
132 Sa-2	N	M	P	S	T	D	E	F	GA	d									
	230j6	265	300	14.5	4	38k6	80	10h9	41	M12	268	263	12	443	523	544	200	175	160

**The overall and mounting dimensions  
IM 3601**



Frame size	Flange	Dimensions (mm)													
		Flange mounting (B14)					Shaft extension		HD1	AC	LB	L	a	b	c
		N	M	P	S	T	D	E							
132 Sa-2	F165	130j6	165	200	M10	3.5	38k6	80	268	263	443	523	200	175	160
	F215	180j6	215	250	M12	4									

**The overall and mounting dimensions  
IM 2001**



Frame size	Dimensions (mm)																				
	Foot mounting					Flange mounting					Shaft extension					HD	L	L1	a	b	c
132 Sa-2	A	B	C	H <sub>0.5</sub>	K	N	M	P	S	T	D	E	F	GA	d						
	216	140	89	132	12	230j6	265	300	14.5	4	38k6	80	10h9	41	M12	400	523	544	200	175	160