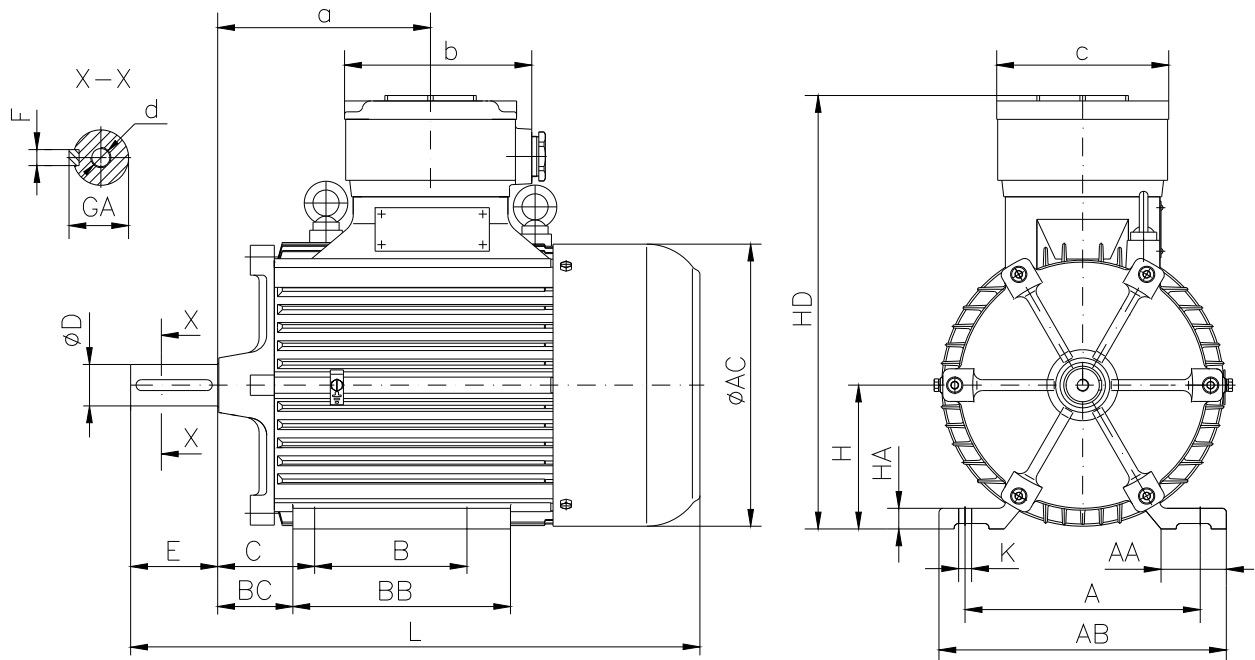


**DATA SHEET**

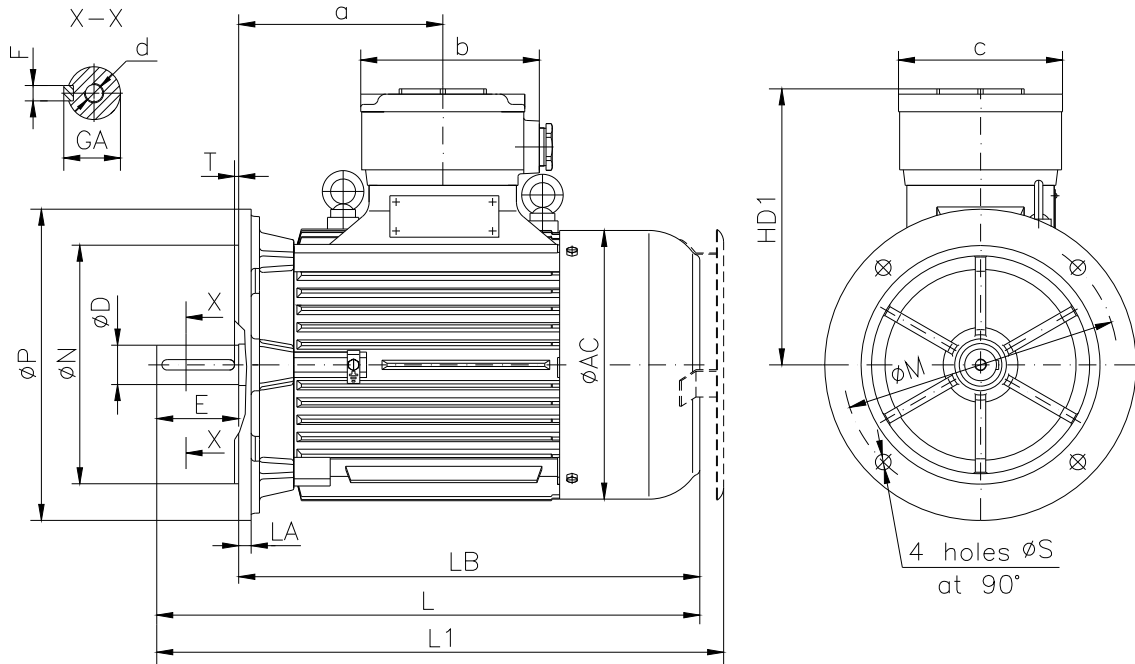
- Type.....ASA 132S-4
- Reference standard.....IEC 60034-1  
EN 60079-0  
EN 60079-1  
EN 60079-7
- Rated output.....5.5 kW
- Rated stator voltage.....400V
- Stator current at 100% load.....11 [A]
- Number of poles.....4
- Rated speed/ .....1452 rev/min
- Rated frequency.....50 Hz
- Efficiency at 100% load.....87%
- Power factor at 100% load.....0.83
- Break-down torque.....2.7 x Mn
- Locked rotor torque.....2.5 x Mn
- Locked rotor current.....6 x In
- Rotor inertia.....0.032981 kgm<sup>2</sup>
- Insulation class.....F
- Direction of rotation.....Both(CW&CCW)
- Protection degree.....≥IP55
- Mounting.....IM
- Cooling method.....IC 411
- Max. ambient temperature .....+ 40°C
- Altitude.....1000m
- Bearing type.....6308 2Z drive end  
6308 2Z non drive end
- Weight.....88 Kg
- Outline drawing.....Page 2
- Vibration level :.....A (acc.IEC 60034-14 )
- Noise level .....acc.IEC 60034-9
- Cable entries.....2xM32x1.5
- Climate execution .....N

**The overall and mounting dimensions  
IM 1001**



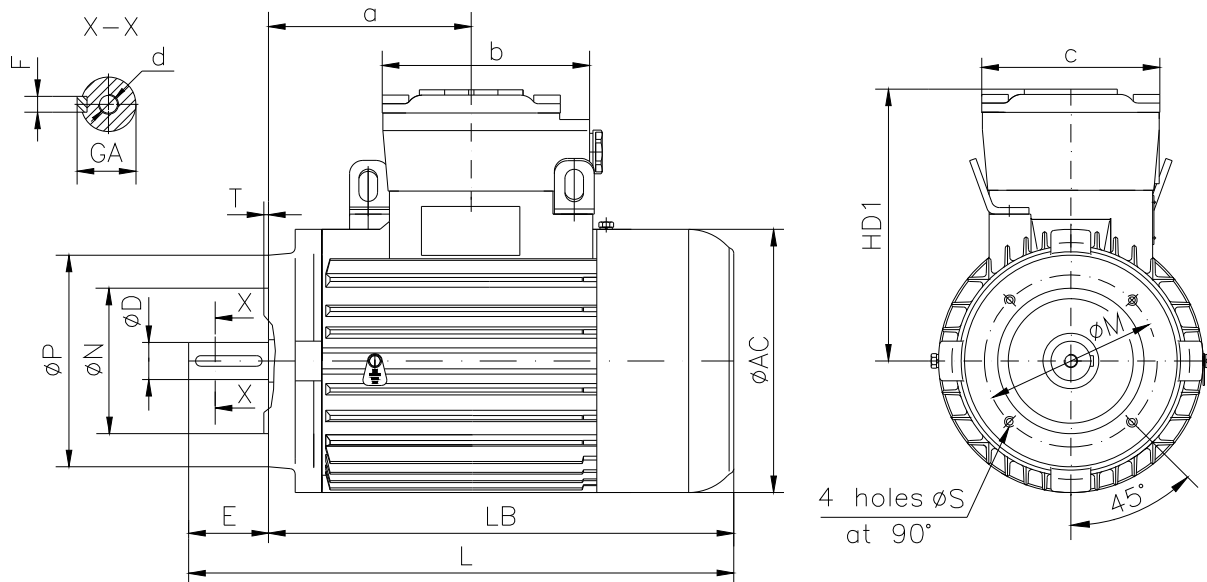
| Frame size | Dimensions (mm) |     |    |                  |    |    |     |     |    |    |                 |    |      |    |     |     |     |     |     |     |     |
|------------|-----------------|-----|----|------------------|----|----|-----|-----|----|----|-----------------|----|------|----|-----|-----|-----|-----|-----|-----|-----|
|            | Foot mounting   |     |    |                  |    |    |     |     |    |    | Shaft extension |    |      |    |     |     | HD  | AC  | L   | a   | b   |
| 132 S-4    | A               | B   | C  | H <sub>0.5</sub> | K  | AA | AB  | BB  | BC | HA | D               | E  | F    | GA | d   |     |     |     |     |     |     |
|            | 216             | 140 | 89 | 132              | 12 | 60 | 264 | 200 | 69 | 19 | 38k6            | 80 | 10h9 | 41 | M12 | 400 | 263 | 523 | 200 | 175 | 160 |

**The overall and mounting dimensions  
IM 3001; IM 3011**



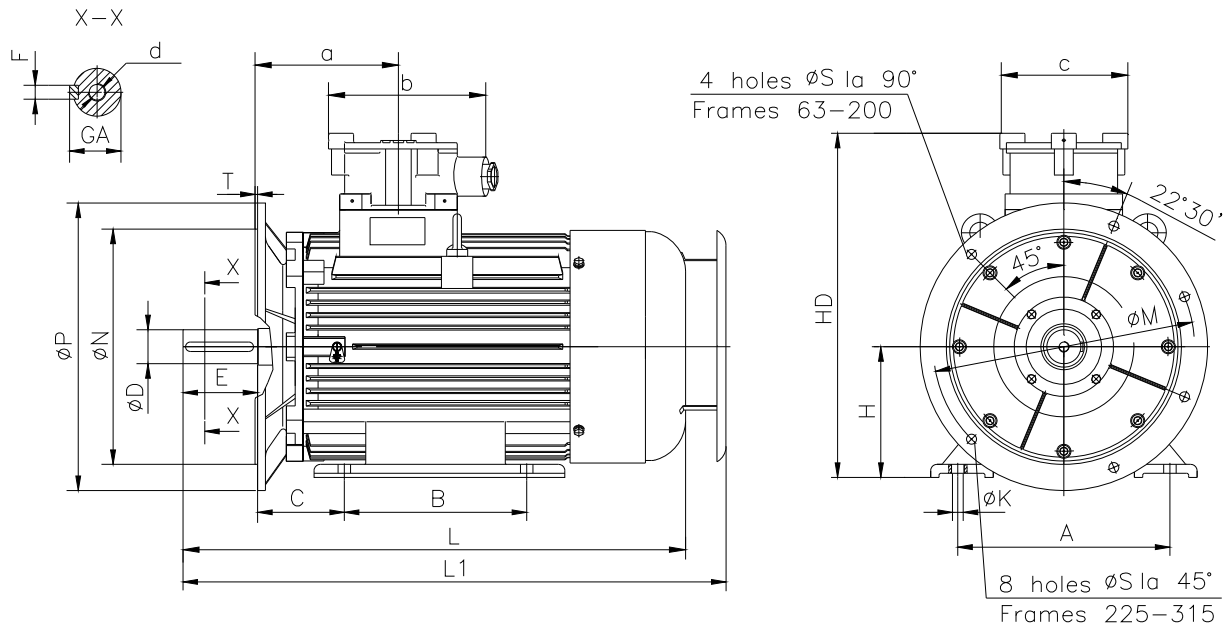
| Frame size | Dimensions (mm)      |     |     |      |   |                 |    |      |    |     |     |     |    |     |     |     |     |     |     |
|------------|----------------------|-----|-----|------|---|-----------------|----|------|----|-----|-----|-----|----|-----|-----|-----|-----|-----|-----|
|            | Flange mounting (B5) |     |     |      |   | Shaft extension |    |      |    |     | HD1 | AC  | LA | LB  | L   | L1  | a   | b   | c   |
| N          | M                    | P   | S   | T    | D | E               | F  | GA   | d  |     |     |     |    |     |     |     |     |     |     |
| 132 S-4    | 230j6                | 265 | 300 | 14.5 | 4 | 38k6            | 80 | 10h9 | 41 | M12 | 268 | 263 | 12 | 443 | 523 | 544 | 200 | 175 | 160 |

**The overall and mounting dimensions  
IM 3601**



| Frame size | Flange | Dimensions (mm)       |     |     |     |     |                 |    |     |     |     |     |     |     |     |
|------------|--------|-----------------------|-----|-----|-----|-----|-----------------|----|-----|-----|-----|-----|-----|-----|-----|
|            |        | Flange mounting (B14) |     |     |     |     | Shaft extension |    | HD1 | AC  | LB  | L   | a   | b   | c   |
|            |        | N                     | M   | P   | S   | T   | D               | E  |     |     |     |     |     |     |     |
| 132<br>S-4 | F165   | 130j6                 | 165 | 200 | M10 | 3.5 | 38k6            | 80 | 268 | 263 | 443 | 523 | 200 | 175 | 160 |
|            | F215   | 180j6                 | 215 | 250 | M12 | 4   |                 |    |     |     |     |     |     |     |     |

**The overall and mounting dimensions  
IM 2001**



| Frame size | Dimensions (mm) |     |    |                  |    |                 |     |     |      |   |                 |    |      |    |     |     |     |     |     |     |     |
|------------|-----------------|-----|----|------------------|----|-----------------|-----|-----|------|---|-----------------|----|------|----|-----|-----|-----|-----|-----|-----|-----|
|            | Foot mounting   |     |    |                  |    | Flange mounting |     |     |      |   | Shaft extension |    |      |    |     | HD  | L   | L1  | a   | b   | c   |
| 132 S-4    | A               | B   | C  | H <sub>0.5</sub> | K  | N               | M   | P   | S    | T | D               | E  | F    | GA | d   |     |     |     |     |     |     |
|            | 216             | 140 | 89 | 132              | 12 | 230j6           | 265 | 300 | 14.5 | 4 | 38k6            | 80 | 10h9 | 41 | M12 | 400 | 523 | 544 | 200 | 175 | 160 |