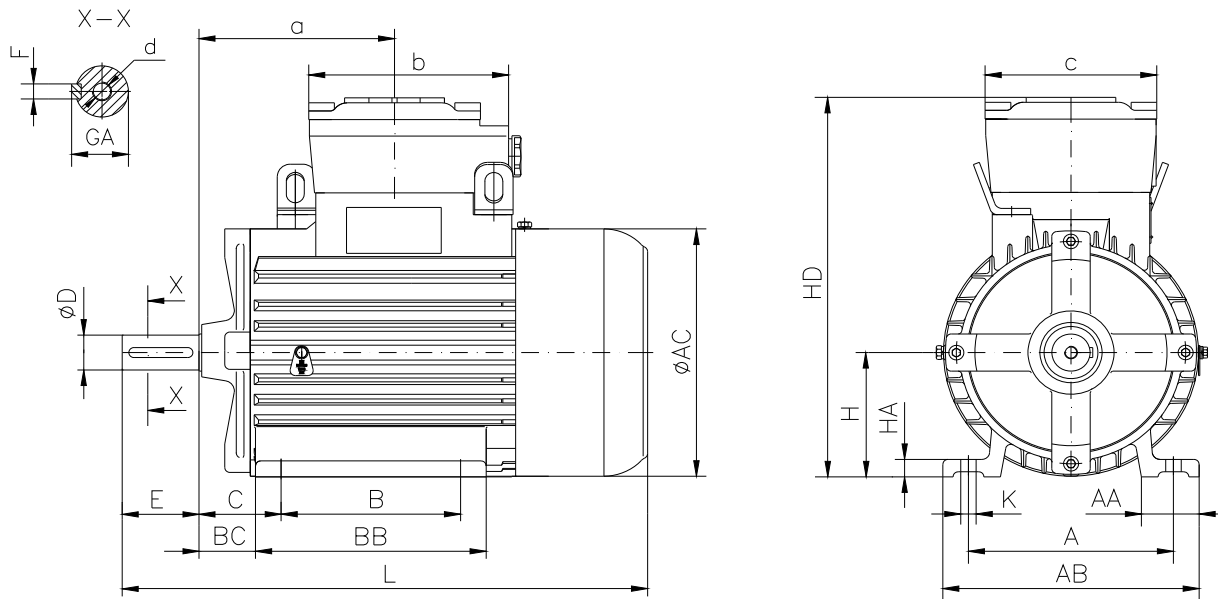


DATA SHEET

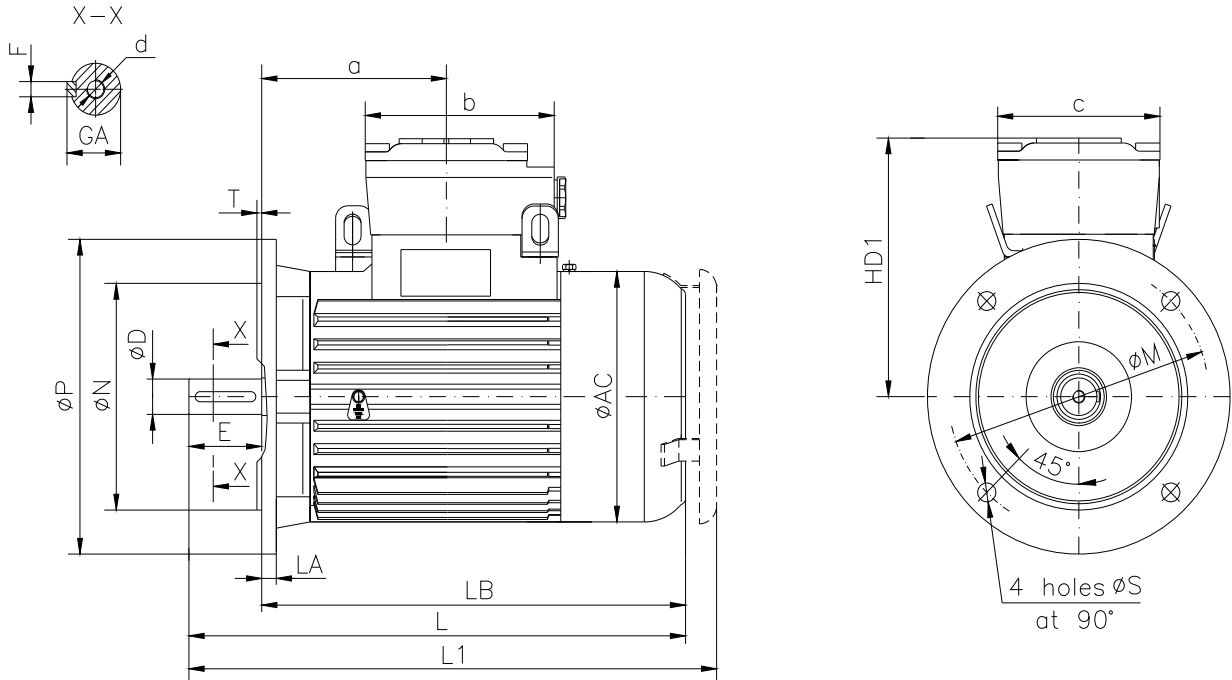
- Type.....ASA 100LW-8
- Reference standard.....IEC 60034-1
EN 60079-0
EN 60079-1
EN 60079-7
- Rated output.....0.75 kW
- Rated stator voltage.....400V
- Stator current at 100% load.....2.24[A]
- Number of poles.....8
- Rated speed.....718 rev/min
- Rated frequency.....50 Hz
- Efficiency at 100% load.....70%
- Power factor at 100% load.....0.69
- Break-down torque.....2.3 x Mn
- Locked rotor torque.....2 x Mn
- Locked rotor current.....3.8 x In
- Rotor inertia.....0.011158 kgm²
- Insulation class.....F
- Direction of rotation.....Both(CW&CCW)
- Protection degree.....≥IP55
- Mounting.....IM
- Cooling method.....IC 411
- Max. ambient temperature.....+ 40°C
- Altitude.....1000m
- Bearing type.....6306 2Z drive end
6306 2Z non drive end
- Weight.....43 Kg
- Outline drawing.....Page 2
- Vibration level :.....A (acc.IEC 60034-14)
- Noise levelacc.IEC 60034-9
- Cable entries.....2xM32x1.5
- Climate executionN

**The overall and mounting dimensions
IM 1001**



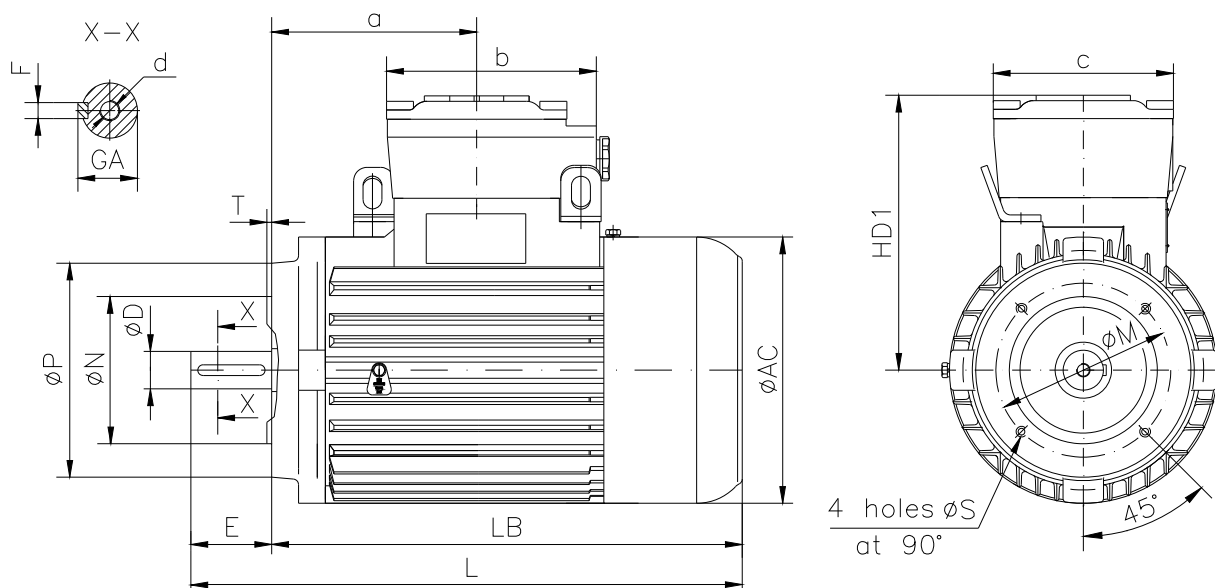
Frame size	Dimensions (mm)																				
	Foot mounting										Shaft extension					HD	AC	L	a	b	c
100 LW-8	A	B	C	$H_{-0.5}$	K	AA	AB	BB	BC	HA	D	E	F	GA	d						
	160	140	63	100	12	45	200	180	43	14	28j6	60	8h9	31	M10	307	199	412	165	160	135

**The overall and mounting dimensions
IM 3001; IM 3011**



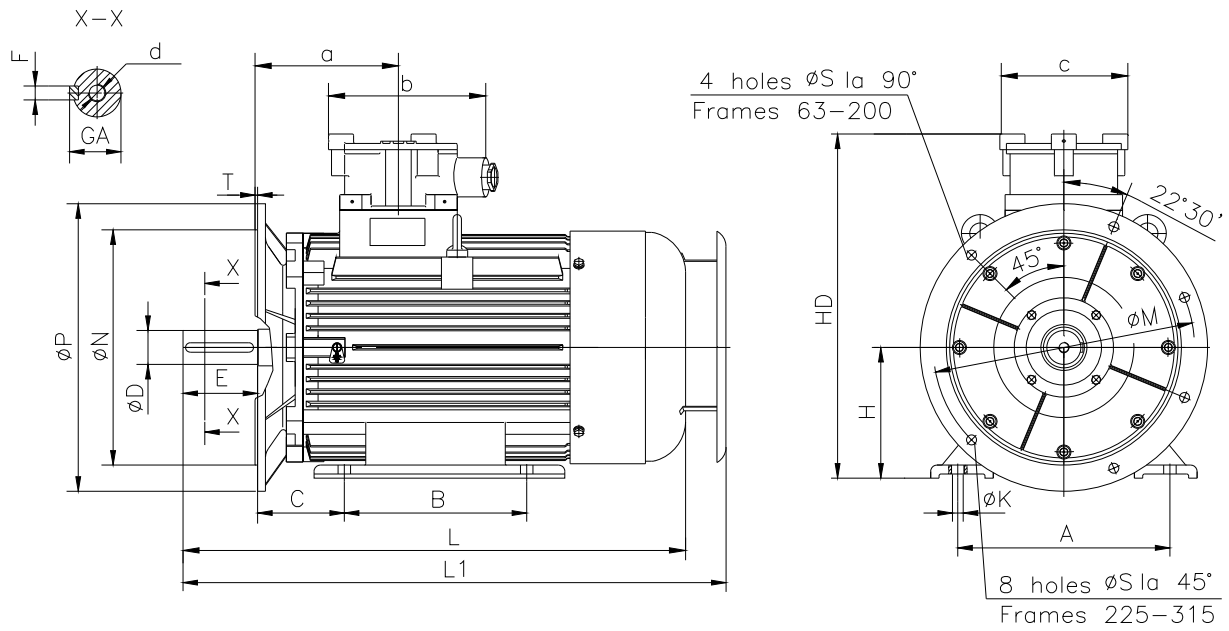
Frame size	Dimensions (mm)																		
	Flange mounting (B5)					Shaft extension					HD1	AC	LA	LB	L	L1	a	b	c
100 LW-8	N	M	P	S	T	D	E	F	GA	d									
	180j6	215	250	14.5	4	28j6	60	8h9	31	M10	207	199	12	352	412	436	165	160	135

**The overall and mounting dimensions
IM 3601**



Frame size	Dimensions (mm)														
	Flange mounting (B14)					Shaft extension		HD1	AC	LB	L	a	b	c	
N	M	P	S	T	D	E									
100 LW-8	F130	110j6	130	160	M8	3.5	28j6	60	207	199	352	412	165	160	135
	F165	130j6	165	200	M10										

**The overall and mounting dimensions
IM 2001**



Frame size	Dimensions (mm)																				
	Foot mounting					Flange mounting					Shaft extension					HD	L	L1	a	b	c
A	B	C	H _{0.5}	K	N	M	P	S	T	D	E	F	GA	d							
100 LW-8	160	140	63	100	12	180j6	215	250	14.5	4	28j6	60	8h9	31	M10	307	412	436	165	160	135