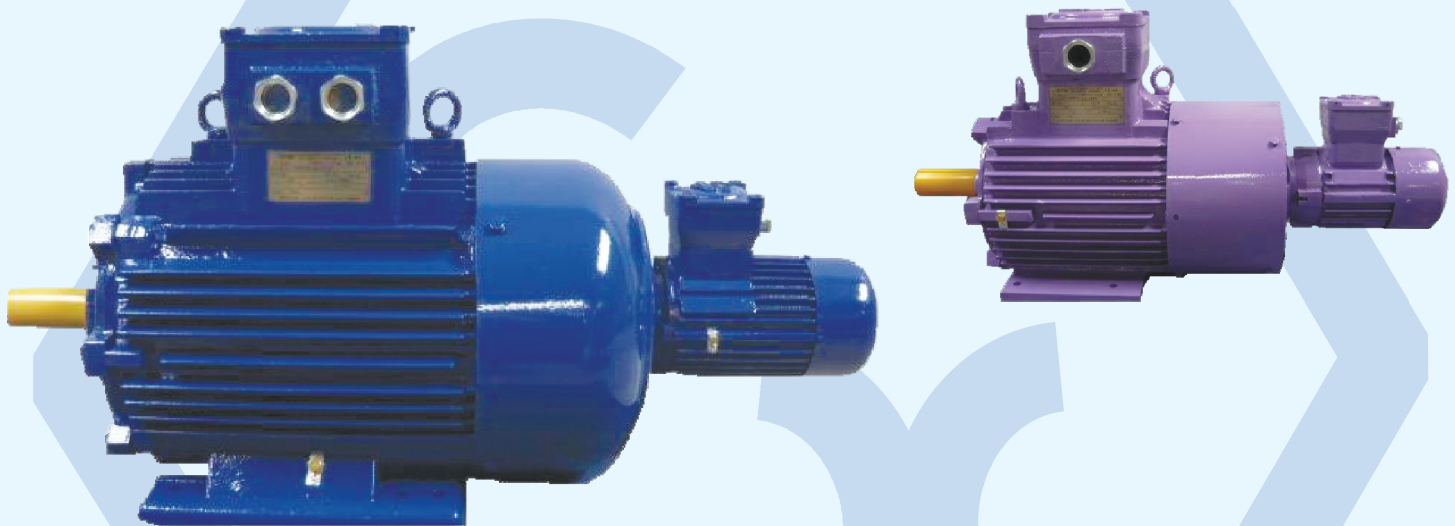




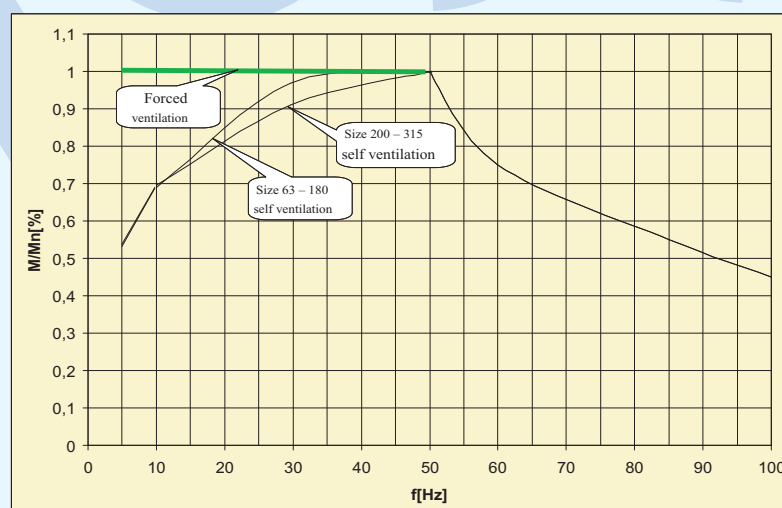
FLAMEPROOF ASYNCHRONOUS MOTORS ExdIICT4 WITH FORCED COOLING



Whenever an asynchronous motor driven by frequency converter must provide constant torque at low frequencies forced cooling is necessary



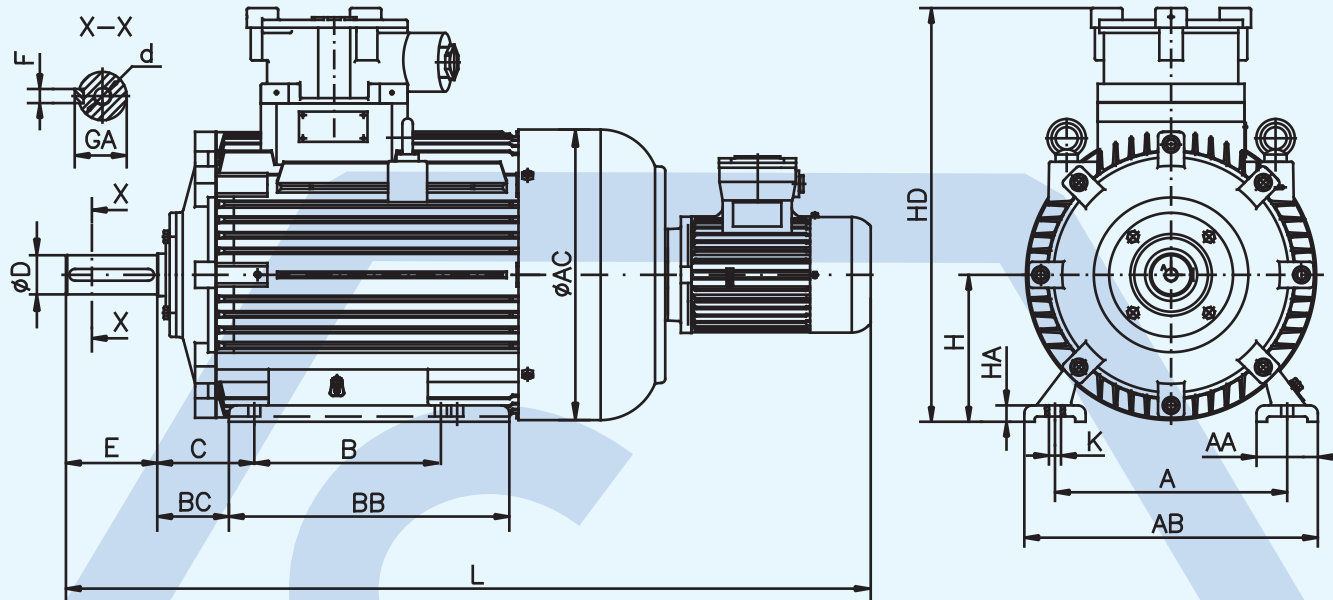
In case of motors operating in potential explosive environments of Zones 1, both main motor and motor for forced cooling unit must be explosion-proof.



UMEB – ELECTRICAL MACHINE WORKS BUCHAREST

Contact: 104A, Timisoara Blvd., district 6, Bucharest, Romania
e-mail : office@umeb.ro

Phone: 0040 31 425 12 02 / 0040 31 425 12 05
Fax : 0040 31 425 12 01



Frame size	A	B	C	H	K	D		E	F h9	GA	d	AA	AB	BB	BC	HA	AC	HD	L							
						nom.	tol.												2p=2	2p>2	2p=2	2p>2	2p=2	2p>2	2p=2	2p>2
																									2p=2	2p>2
90S	140	100	56	90	10	24	j6	50	8	27	M8	40	180	158	39.5	13	177	272	627							
90L	140	125	56	90	10	24	j6	50	8	27	M8	40	180	158	39.5	13	177	272	627							
100LW	160	140	63	100	12	28	j6	60	8	31	M10	45	200	180	43	14	199	307	678							
100LX	160	140	63	100	12	28	j6	60	8	31	M10	45	200	180	43	14	199	307	703							
112M	190	140	70	112	12	28	j6	60	8	31	M10	45	224	200	50	15	221	332	722							
132S	216	140	89	132	12	38	k6	80	10	41	M12	60	264	200	69	19	263	400	789							
132M	216	178	89	132	12	38	k6	80	10	41	M12	60	264	250	69	19	263	400	836							
160M	254	210	108	160	14.5	42	k6	110	12	45	M16	80	320	300	63	20	317	471	945							
160L	254	254	108	160	14.5	42	k6	110	12	45	M16	80	320	300	63	20	317	471	945							
180M	279	241	121	180	14.5	48	k6	110	14	51,5	M16	80	360	340	71	25	357	507	1015							
180L	279	279	121	180	14.5	48	k6	110	14	51,5	M16	80	360	340	71	25	357	507	1015							
200L	318	305	133	200	18.5	55	m6	110	16	59	M20	82	400	380	95	25	396	573	1095							
225S	356	286	149	225	18.5	-	60	m6	-	140	-	18	-	64	M20	100	440	430	114	20	446	635	-	1250		
225M	356	311	149	225	18.5	55	60	m6	110	140	16	18	59	64	M20	100	440	430	114	20	446	635	1220	1250		
250M	406	349	168	250	24	60	65	m6	140	140	18	18	64	69	M20	120	500	480	114	20	446	660	1300	1300		
280S	457	368	190	280	24	65	75	m6	140	140	18	20	69	79,5	M20	120	550	460	147	18	500	758	1375	1375		
280M	457	419	190	280	24	65	75	m6	140	140	18	20	69	79,5	M20	120	550	500	147	18	500	758	1415	1415		
315S	508	406	216	315	28	65	80	m6	140	170	18	22	69	85	M20	130	630	528	151,5	27	560	826	1565	1595		
315M	508	457	216	315	28	65	80	m6	140	170	18	22	69	85	M20	130	630	568	151,5	27	560	826	1620	1650		
315MX	508	457	216	315	28	65	80	m6	140	170	18	22	69	85	M20	120	626	588	176	27	620	857	1650	1710		
315LY	508	508	216	315	28	65	80	m6	140	170	18	22	69	85	M20	120	626	588	176	27	620	857	1720	1780		
315LZ	508	508	216	315	28	65	80	m6	140	170	18	22	69	85	M20	120	626	588	176	27	620	857	-	1780		